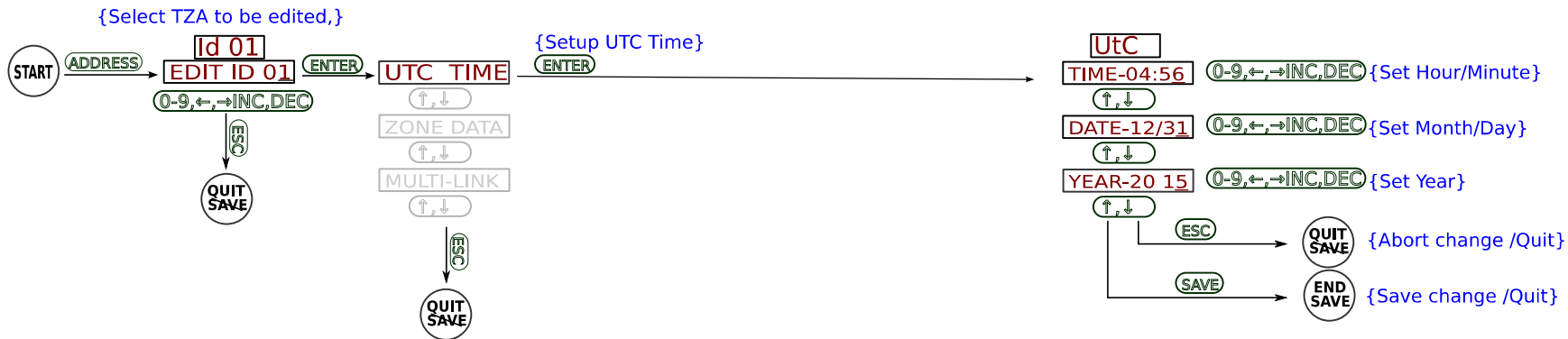


Quick route to TZA IR Remote control programming

1 Set UTC Time ✖ Only the First (ID=01) TZA is required to set the UTC time, Others will be synchronized by it.



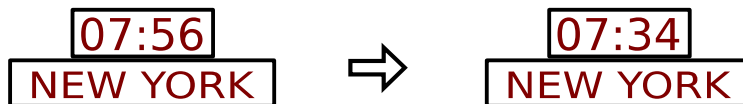
e.g.

Change UTC Time to 12:34

- ✖ Point your IR Control to the First TZA(Left Hand Side)
- ✖ Goto next key after the current key is successfully transmitted.

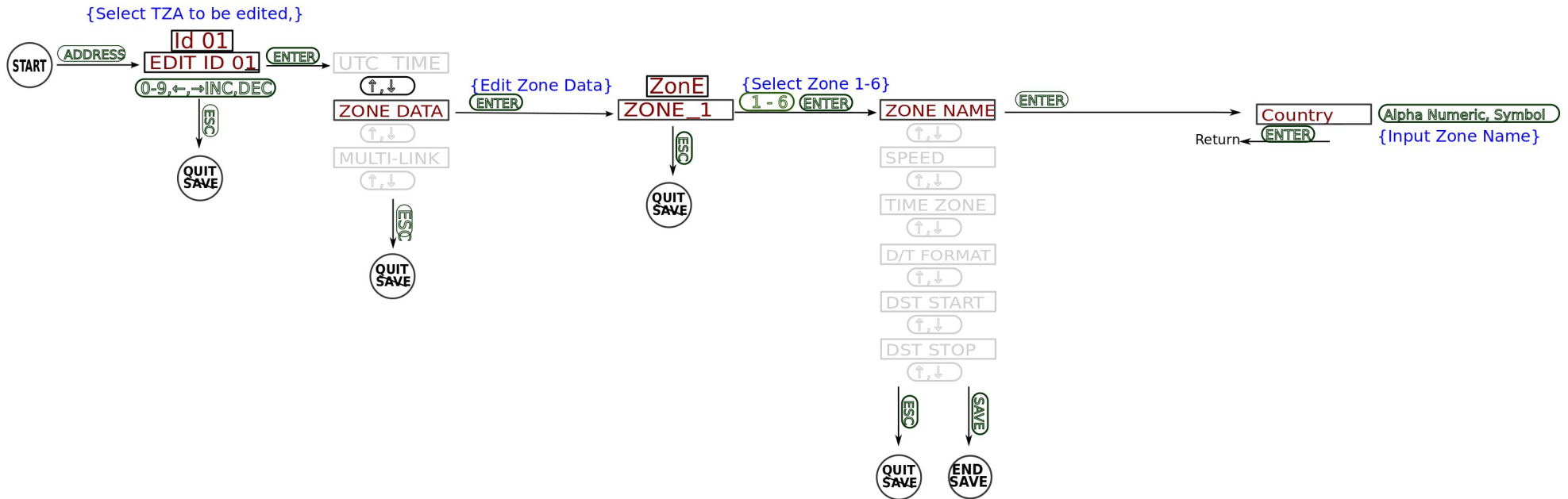
ADDRESS 1 ENTER ENTER 4 ← 3 ← 2 ← 1 SAVE

New York
UTC -5:00
UTC Current Time : 12:34



Quick route to TZA IR Remote control programming

2 Set Location (Zone name).



e.g.

Change Location (Zone Name) of Second Field

- * Point your IR Control to the Second TZA (From Left Hand Side)
- * Goto next key after the current key is successfully transmitted.

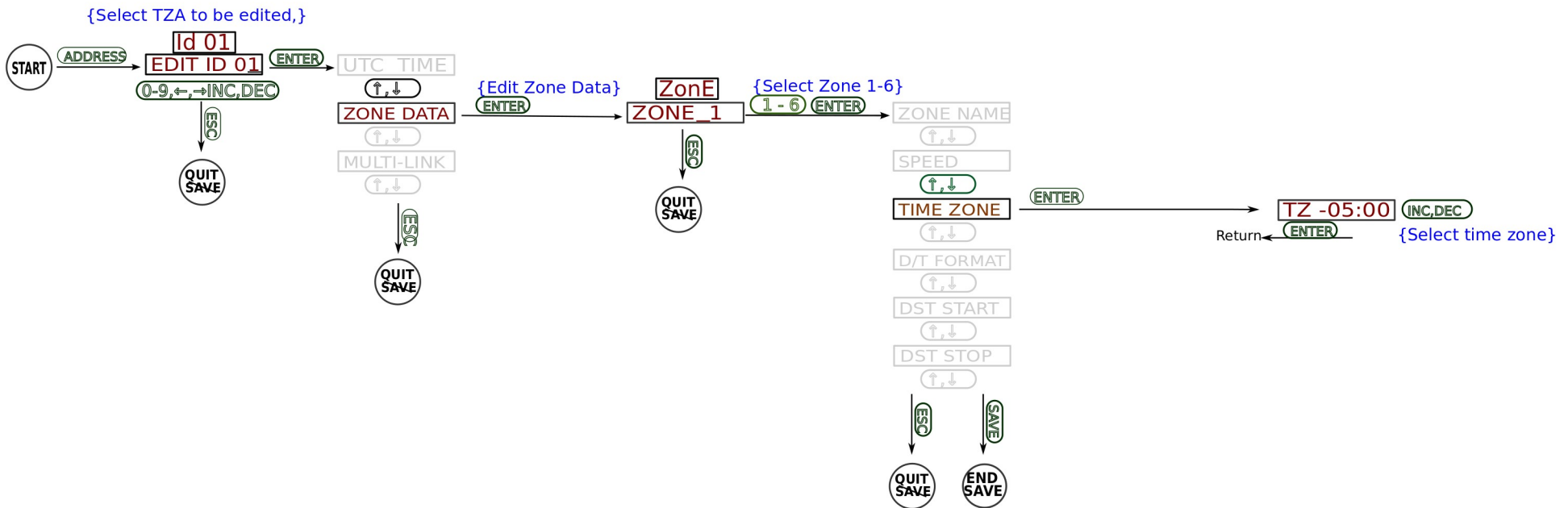
ADDRESS 2 ENTER ↑ ENTER 1 ENTER ENTER ← ← ← DEL DEL DEL N E W SPACE Y O R K ENTER SAVE

Second Field
Original Location : UTC
Target Location : NEW YORK



Quick route to TZA IR Remote control programming

3 Set Time Zone (Offset).



e.g.

Change Time Zone (Time Offset from UTC) of Second Field

- * Point your IR Control to the Second TZA (From Left Hand Side)
- * Goto next key after the current key is successfully transmitted.

ADDRESS 2 ENTER ↑ ENTER 1 ENTER ↑ ↑ ENTER DEC DEC DEC DEC DEC DEC DEC ENTER SAVE

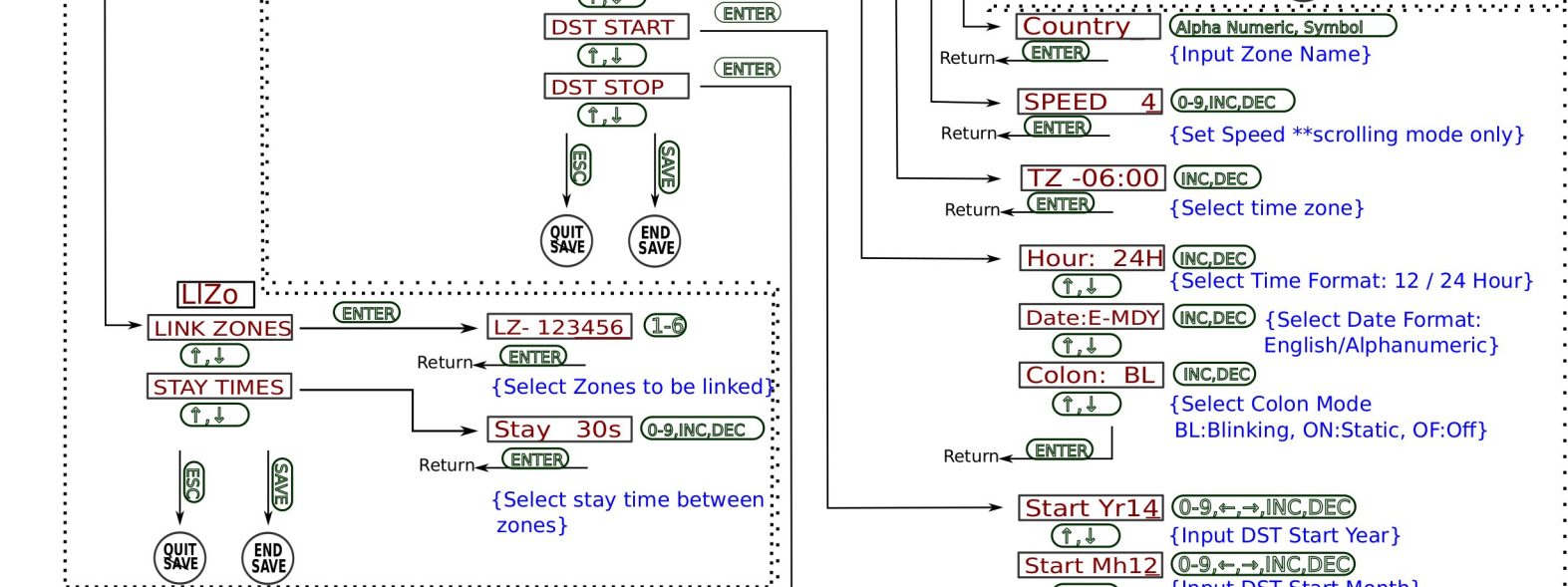
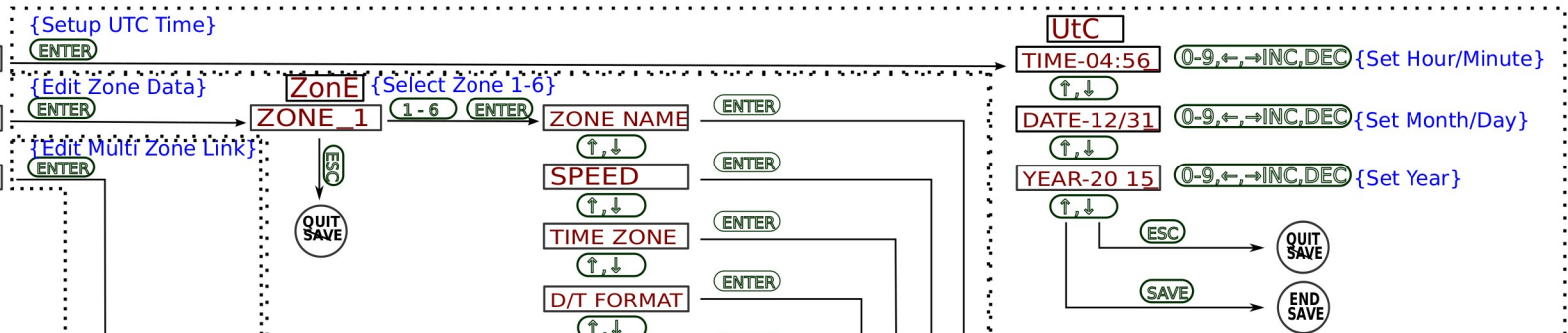
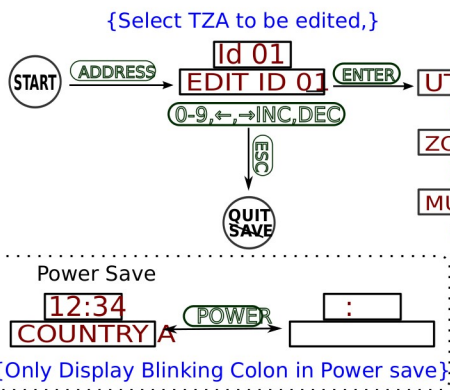
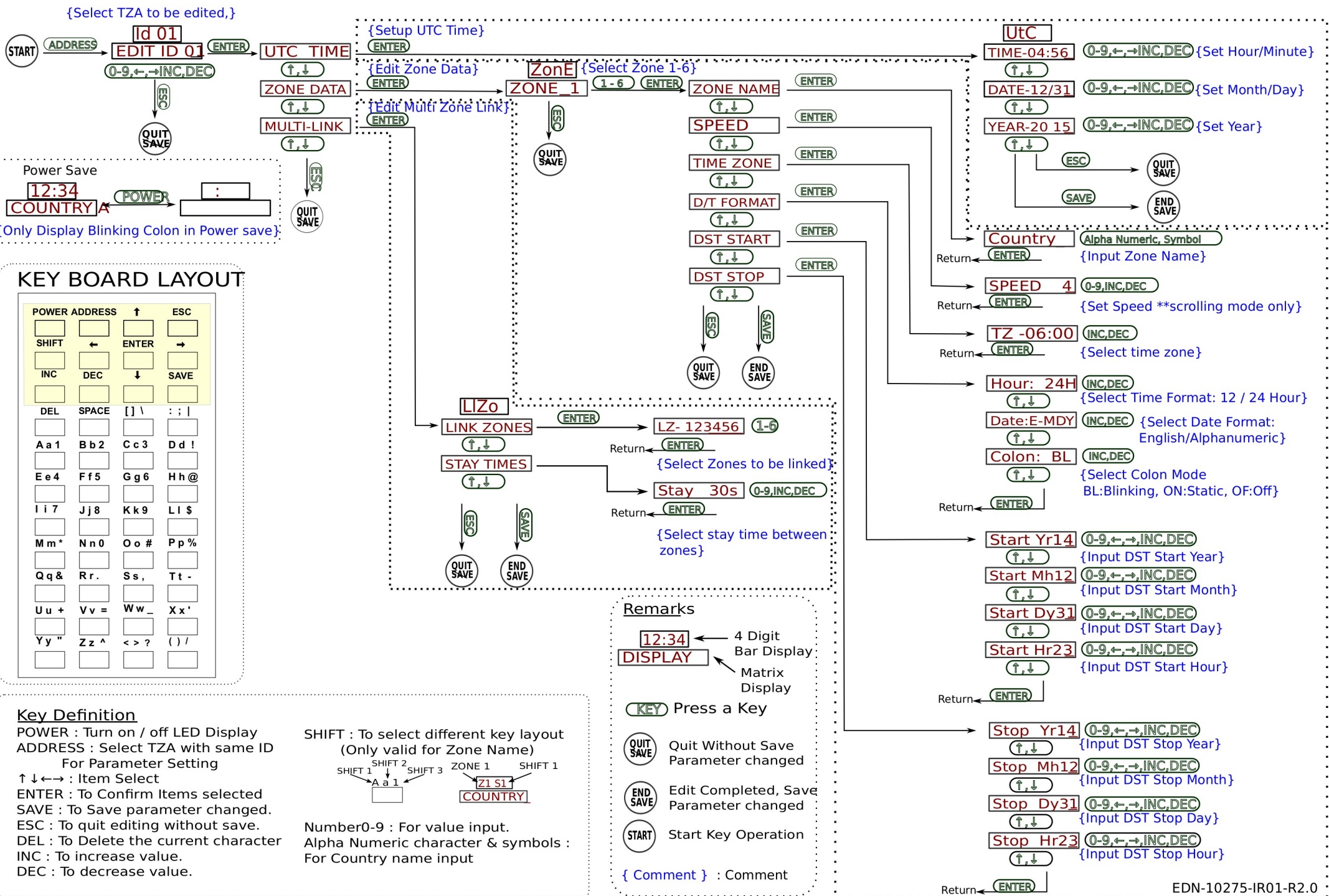
UTC time : 12:34
Original Offset : +00:00
Target Offset : -05:00

Field 2
12:34
NEW YORK

→

Field 2
07:34
NEW YORK

TZA IR Remote control Operation Flow Chart



KEY BOARD LAYOUT

POWER	ADDRESS	↑	ESC
SHIFT	←	ENTER	→
INC	DEC	↓	SAVE
DEL	SPACE	[] \	: ;
A a 1	B b 2	C c 3	D d !
E e 4	F f 5	G g 6	H h @
I i 7	J j 8	K k 9	L l \$
M m *	N n 0	O o #	P p %
Q q &	R r .	S s ,	T t -
U u +	V v =	W w _	X x ' () /
Y y "	Z z ^	< > ?	

Key Definition

POWER : Turn on / off LED Display
ADDRESS : Select TZA with same ID For Parameter Setting
 ↑ ↓ ↔ : Item Select
ENTER : To Confirm Items selected
SAVE : To Save parameter changed.
ESC : To quit editing without save.
DEL : To Delete the current character
INC : To increase value.
DEC : To decrease value.

SHIFT : To select different key layout (Only valid for Zone Name)

SHIFT 1 SHIFT 2 SHIFT 3 ZONE 1 SHIFT 1
 A a 1 Z1 S1 COUNTRY

Number 0-9 : For value input.
 Alpha Numeric character & symbols : For Country name input

Remarks

12:34 ← 4 Digit Bar Display
DISPLAY ← Matrix Display

KEY Press a Key

QUIT SAVE Quit Without Save Parameter changed

END SAVE Edit Completed, Save Parameter changed

START Start Key Operation

{ Comment } : Comment