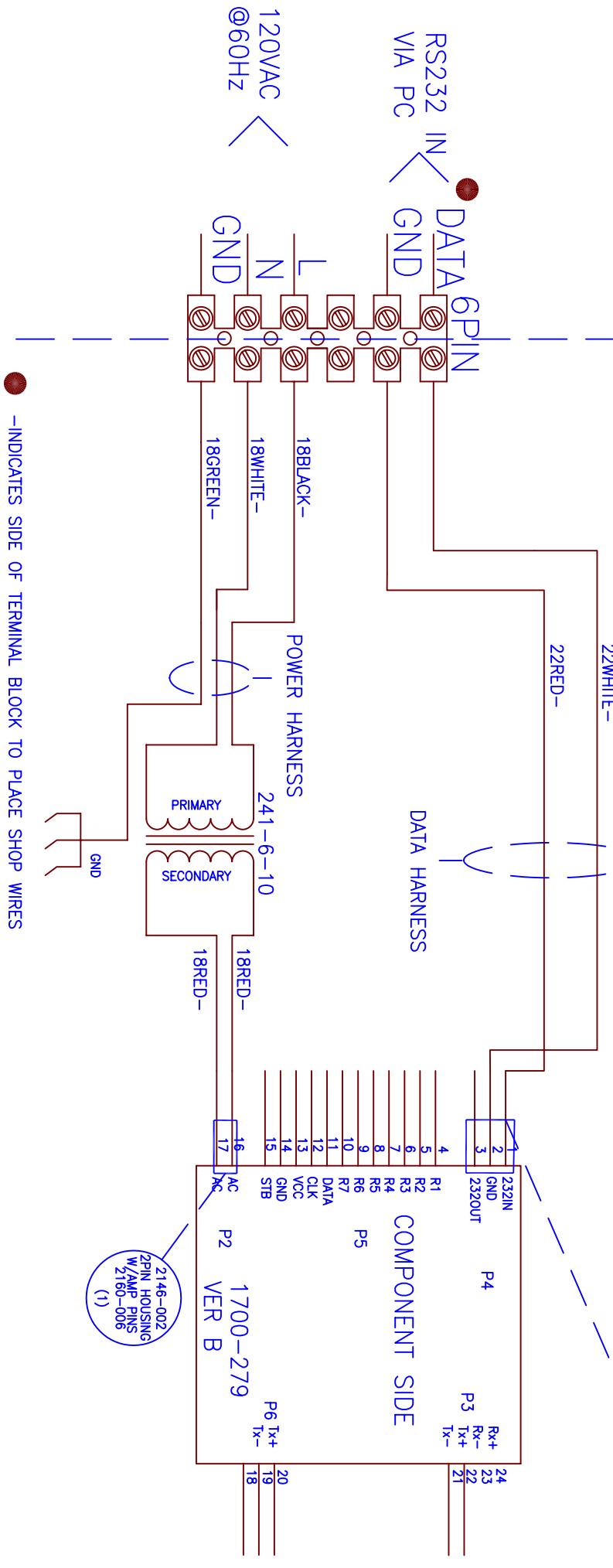


CUSTOMER WIRING → SHOP WIRING →

ED050-E-1611-N4



APPENDIX B