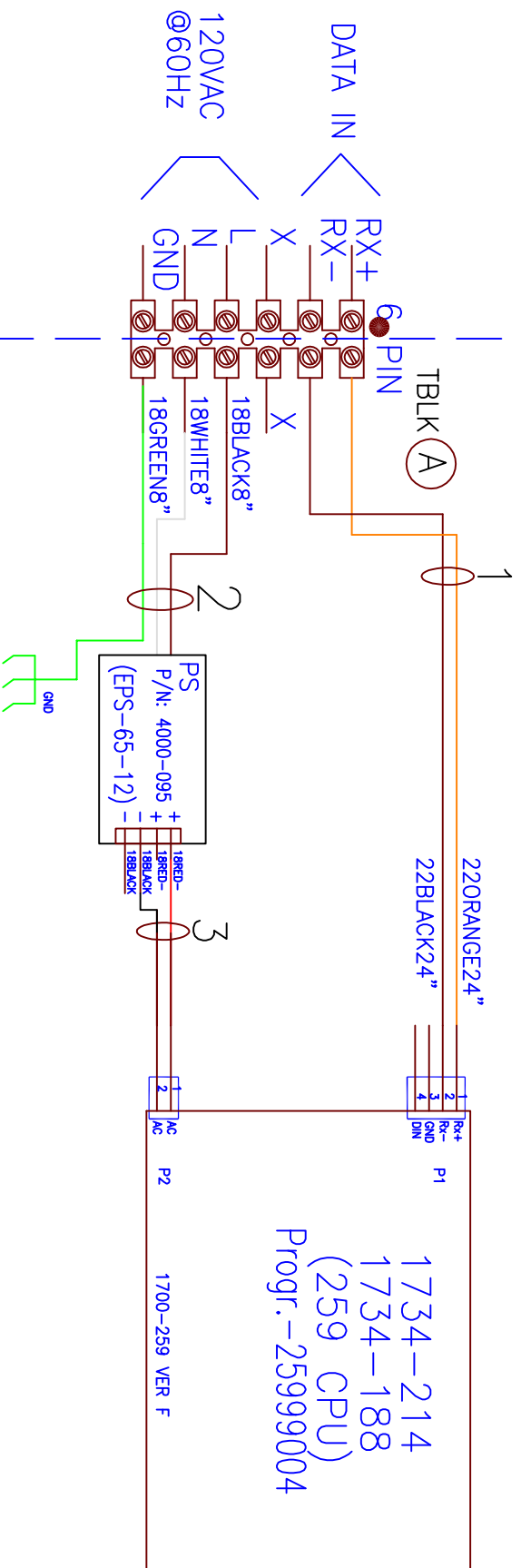


CUSTOMER WIRING ← | → SHOP WIRING

# ED125-E-1605-N4-SR2



|   |              |
|---|--------------|
| ● | = PIN 1      |
| X | = Unused PIN |

## ELECTRICAL SCHEMATIC

DRAWN BY:  
M. BUSHI

ED125-E-1605-N4

REV 1

R:\WIRING\ED125-E-1605-N4-SR2