

TECHNICAL PARAMETER

Guideline of Current

Type	24V	220V
Filament Lamp maximum current	3W	3W
LED maximum current	0.1A/2.4W	0.05A/0.8W
Buzzer maximum current	0.015A/0.36W	0.015A/0.45W
Xenon lamp maximum current	0.2A/4.8W	0.03A/6.6W



Working Environment

Environmental Temperature	-25℃ ~ +55℃
Degree of Pollution	Class 3
Antivibration	10-2000Hz, 1mm, 15g
Degree of Protection	IP 65
Installation Type	III
Altitude	≤ 2000m
Relative Mositure of Air	≤ 98%

∅50mm Integrative Signal tower

Product code for Single layer Signal tower



JD50E1-Order type1+Order type2+Order type3+Order type4

	Optical source type		Luminescence modes		Color		Voltage graduation	
	Optical source	Order type1	Modes	Order type2	Color	Order type3	Voltage	Order type4
	LED	L	Permanent Blink*	01 02	Red Green Yellow White Blue	R G Y W S	DC 24V	024
	Super Bright LED	H	Permanent Blink*	01 02	Red Green Yellow White Blue	R G Y W S	AC 220V	122

Remark: DC are suitable for AC (the two are universal). Special voltage can be ordered. The color are arranged from the bottom up. The product with the mark of "*" can not be provided for the moment

Product code for Double-layer Signal tower



JD36E2-Order type1+Order type2+Order type3+Order type4+Order type5

	Optical source type		Luminescence modes		Color		Color		Voltage graduation	
	Optical source	Order type1	Modes	Order type2	Color	Order type3	Color	Order type4	Voltage	Order type5
	LED	L	Permanent Blink*	01 02	Red Green Yellow White Blue	R G Y W S	Red Green Yellow White Blue	R G Y W S	DC 24V	024
	Super Bright LED	H	Permanent Blink*	01 02	Red Green Yellow White Blue	R G Y W S	Red Green Yellow White Blue	R G Y W S	AC 220V	122

Remark: DC are suitable for AC (the two are universal). Special voltage can be ordered. The color are arranged from the bottom up. The product with the mark of "*" can not be provided for the moment

Product code for Three-layer Signal tower

JD50E3-Order type1+Order type2+Order type3+Order type4+Order type5+Order type6

	Optical source type		Luminescence modes		Color		Color		Color		Voltage graduation	
	Optical source	Order type1	Modes	Order type2	Color	Order type3	Color	Order type4	Color	Order type5	Voltage	Order type6
	LED	L	Permanent Blink	01 02	Red	R	Red	R	Red	R	DC 24V	024
Green					G	Green	G	Green	G			
Yellow					Y	Yellow	Y	Yellow	Y			
White					W	White	W	White	W			
Blue					S	Blue	S	Blue	S			
	Super Bright LED	H	Permanent Blink	01 02	Red	R	Red	R	Red	R	AC 220V	122
Green					G	Green	G	Green	G			
Yellow					Y	Yellow	Y	Yellow	Y			
White					W	White	W	White	W			
Blue					S	Blue	S	Blue	S			

Remark: DC are suitable for AC (the two are universal).Special voltage can be ordered. The color are arranged from the bottom up.

The product with the mark of "*" can not be provided for the moment

Production type

Three-layer Signal tower



→ Red+Green+Yellow
LED permanent DC24V
JD50E3-L01RGY024

→ To install base vertically
S-10

Three-layer Signal tower

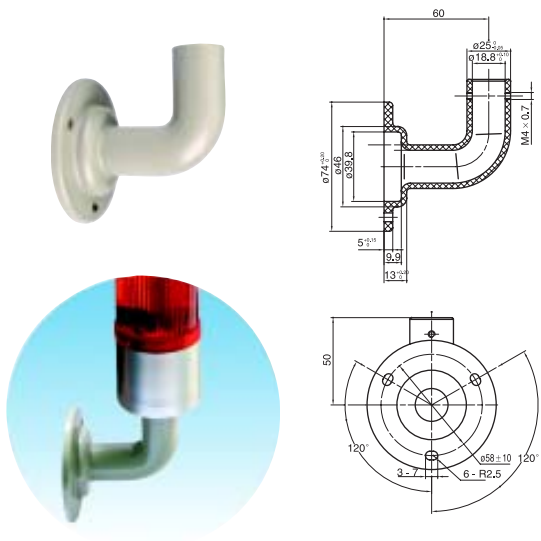


→ Red+Green+Yellow
LED permanent DC24V
JD50E3-L01RGY024

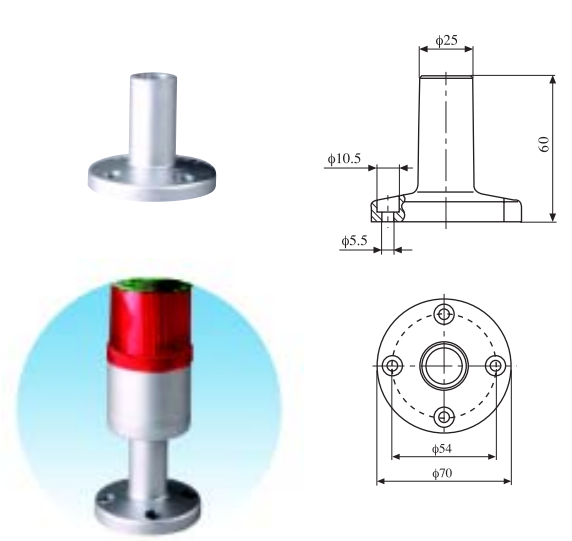
→ To sidemount base
C-7

Accessory

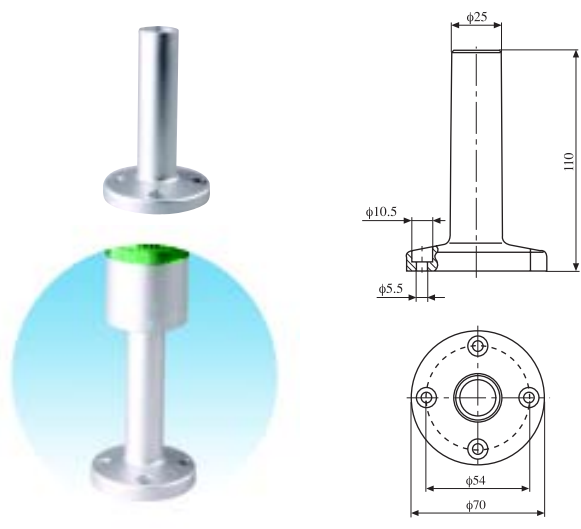
To sidemount base C-7



To install base vertically S-10

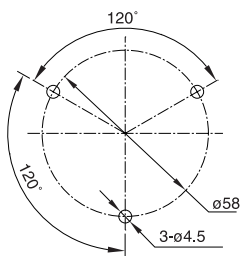


To install base vertically S-11

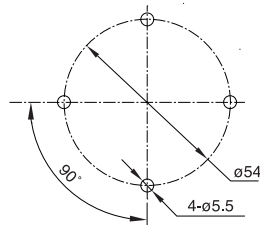


Dimension drawing

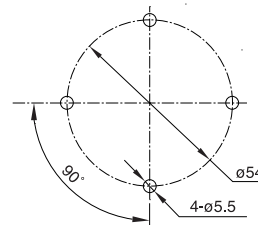
Dimension drawing for mounting hole



C-7

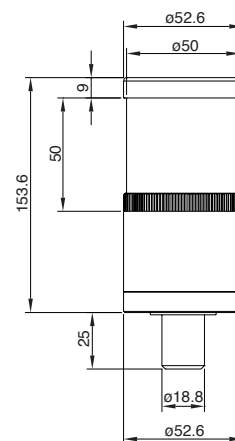
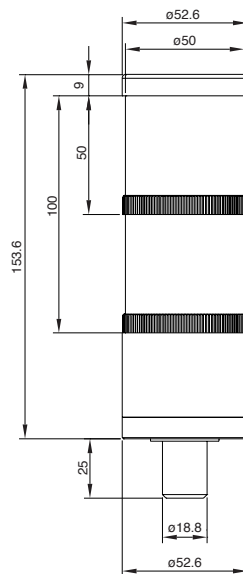
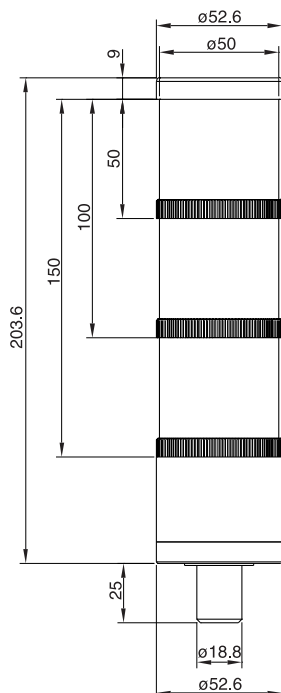


S-10



S-11

Appearance dimension



Connecting Instruction

The balck wire is common, when connecting balck wire with red wire, the red light is on; when connecting black wire with green wire, the green light is on; when connecting black wire with yellow wire, the yellow light is on; when conncting black wire with white wire, the white light is on;when connecting black wire with blue wire, the blue light is on