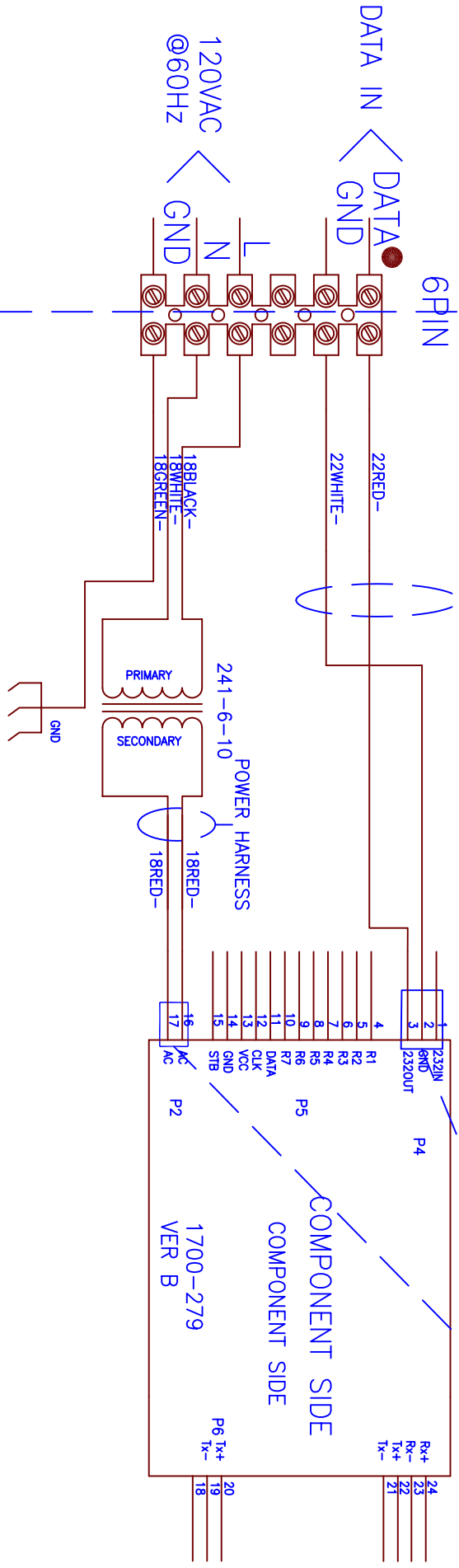


CUSTOMER WIRING → | ← SHOP WIRING

ED150-E-2011-N4-SR1



● -INDICATES SIDE OF TERMINAL BLOCK TO PLACE SHOP WIRES

APPENDIX B