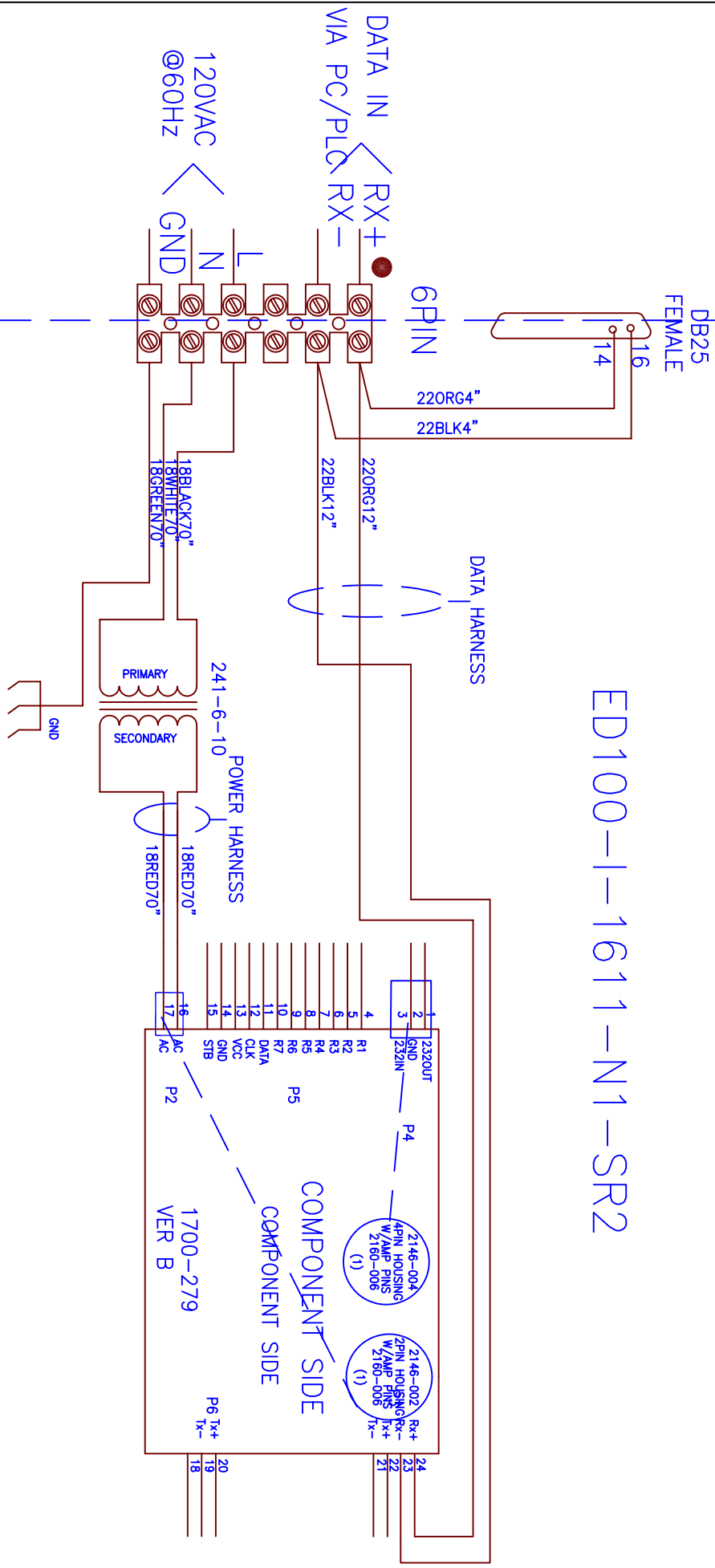


CUSTOMER WIRING | SHOP WIRING

ED100-1-1611-N1-SR2



● -INDICATES SIDE OF TERMINAL BLOCK TO PLACE SHOP WIRES

APPENDIX B