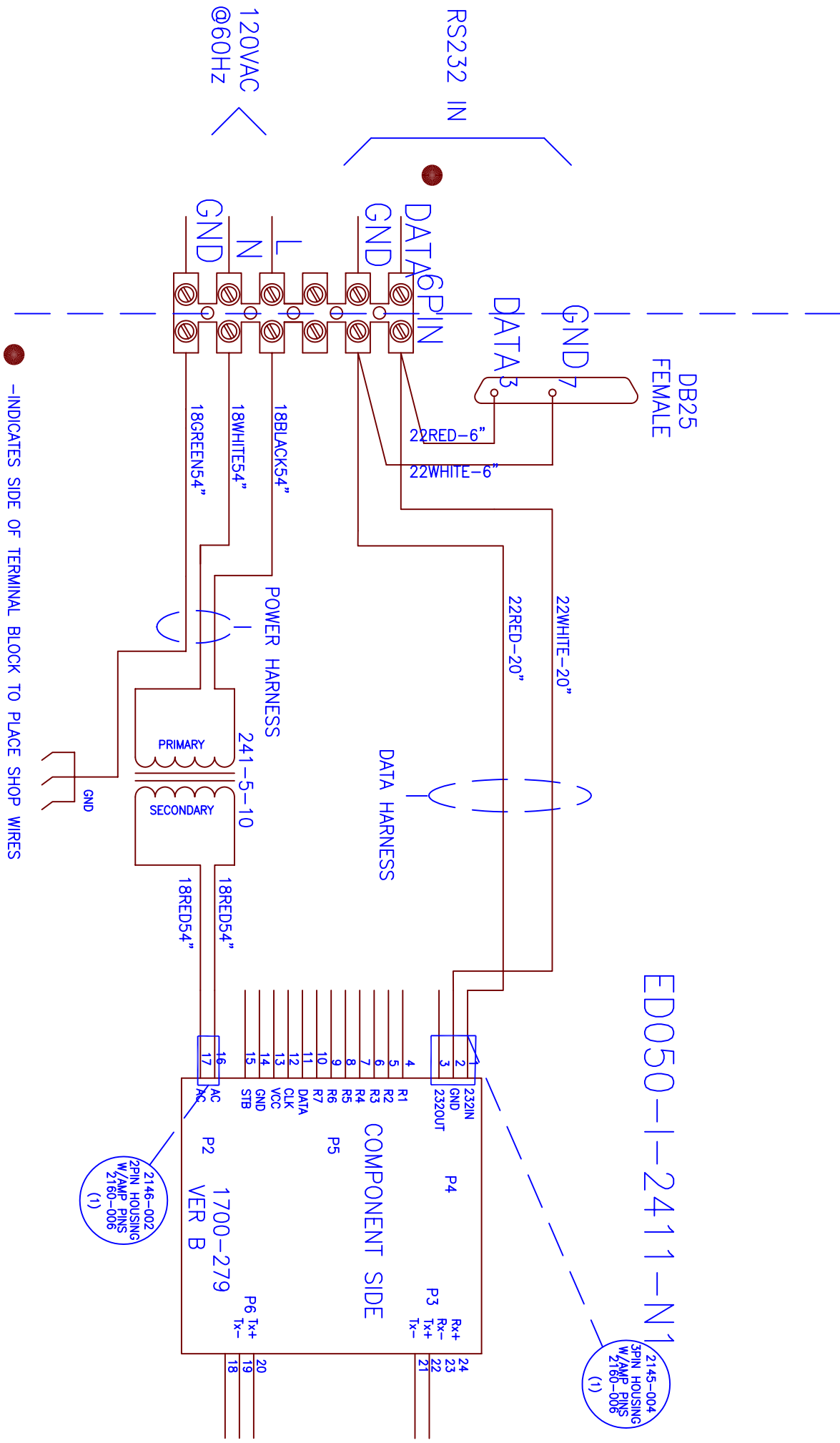


CUSTOMER WIRING ← | → SHOP WIRING



-INDICATES SIDE OF TERMINAL BLOCK TO PLACE SHOP WIRES

ED050-1-2411-N1

2145-004
3PIN HOUSING
W/AMP PINS
2160-006
(1)

2146-002
2PIN HOUSING
W/AMP PINS
2160-006
(1)

APPENDIX B