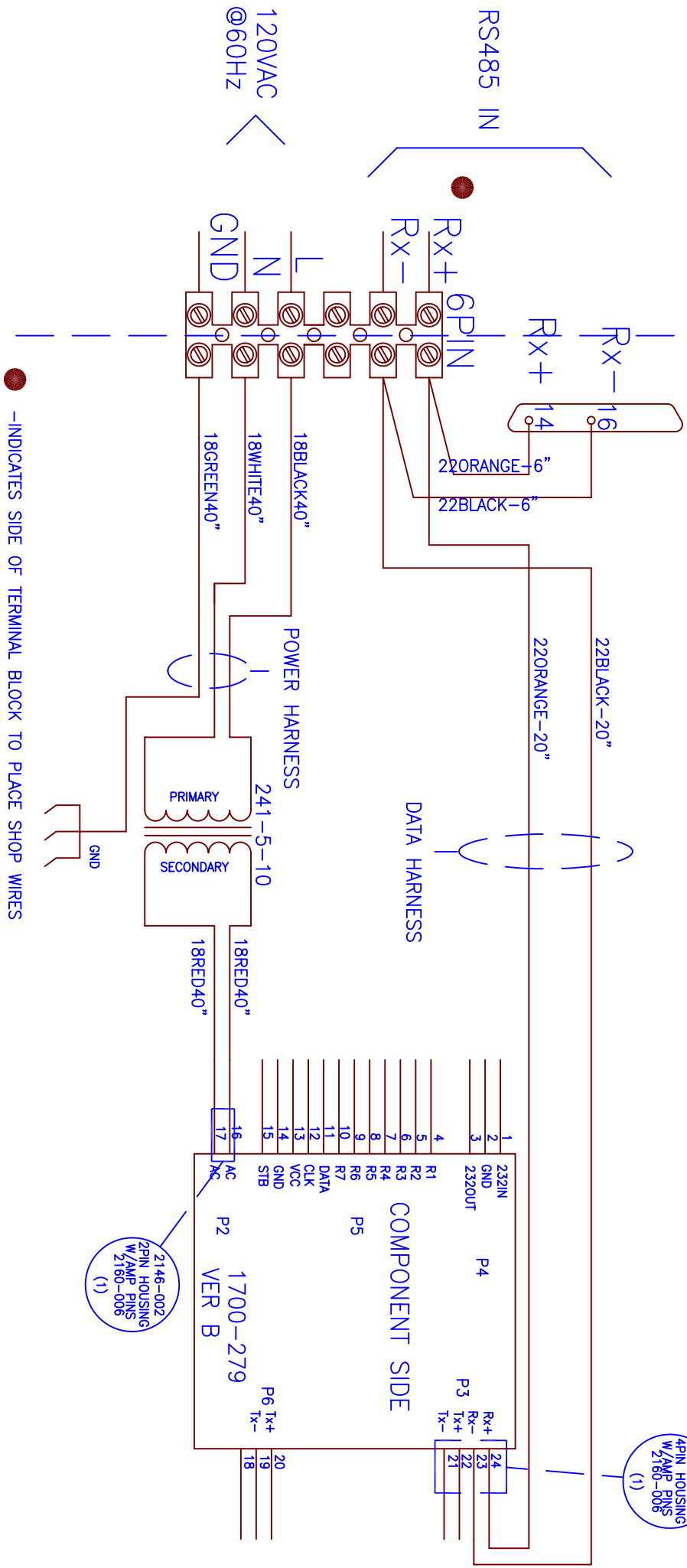


CUSTOMER WIRING ← | → SHOP WIRING

# ED050-1-2411-N1-SR2



-INDICATES SIDE OF TERMINAL BLOCK TO PLACE SHOP WIRES

## APPENDIX B