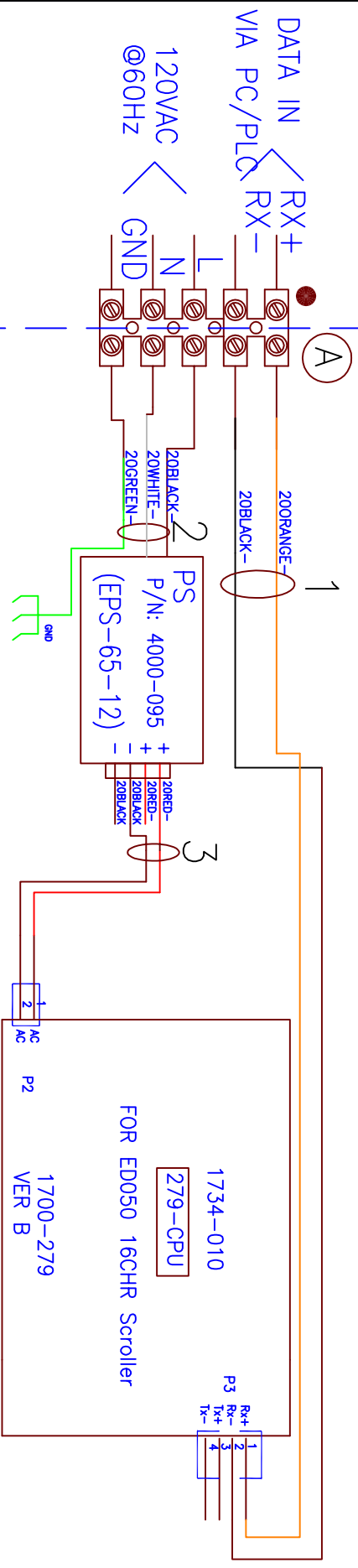


CUSTOMER WIRING ← | → SHOP WIRING

ED050-1-1611-N1-SR2



● = PIN 1

ELECTRICAL SCHEMATIC