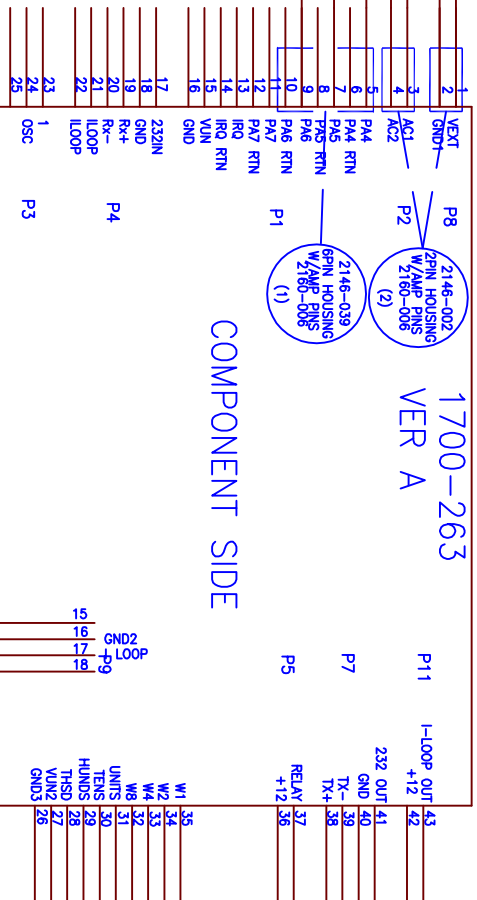
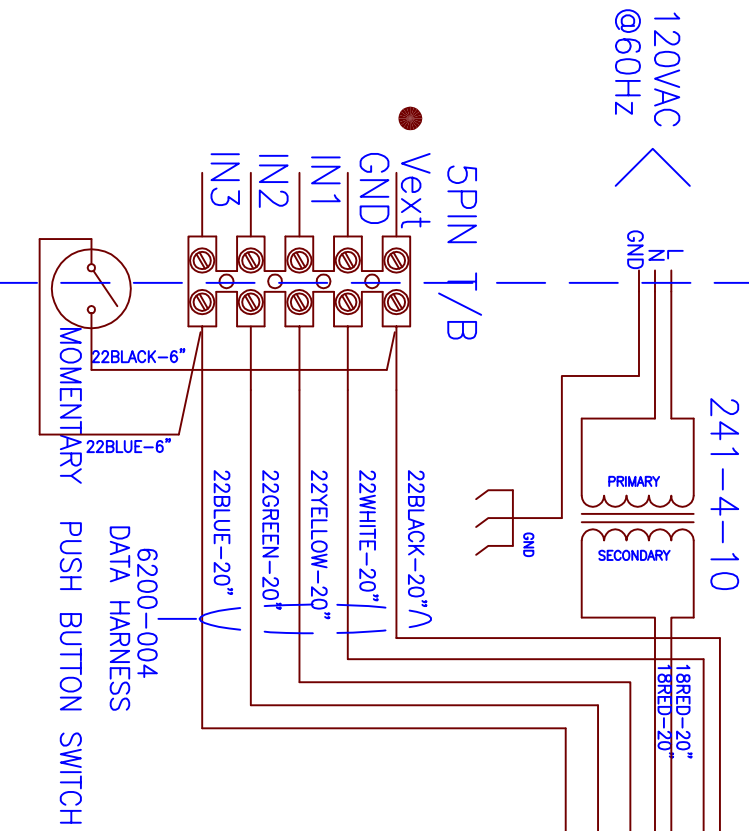


CUSTOMER WIRING → SHOP WIRING →

ED206-110-4D-N1-3INP

POWER HARNESS
6200-002



● -INDICATES SIDE OF TERMINAL BLOCK TO PLACE SHOP WIRES

APPENDIX B

DRAWN BY:
M. Bushi

ED206-110-4D-N1-3INP

R:\WIRING\ED206-110-4D-N1-3INP