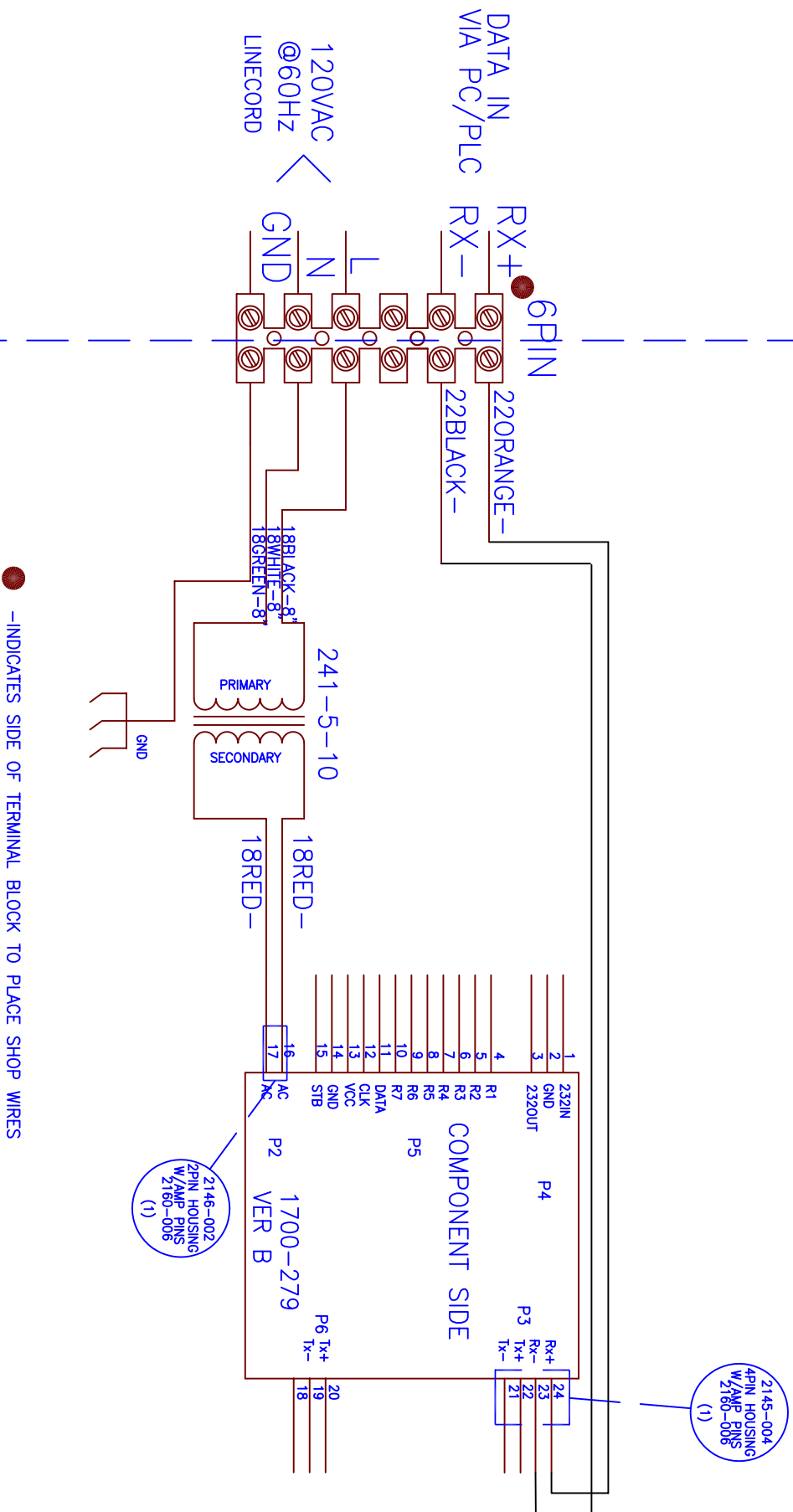


CUSTOMER SHOP
WIRING WIRING

ED050-E-1611-N4-SR2



● -INDICATES SIDE OF TERMINAL BLOCK TO PLACE SHOP WIRES

APPENDIX B

DRAWN BY:
HENRY BILITZKI

R:\WIRING\ED050-E-1611-N4-SR2