

Appendix C

DIP Switch Settings for 7SEG0147.mot

This program can be run on either a 2 ¼" bar-segment board shown in Figure 1 or on a 4" bar-segment board shown in Figure 2. Each of these boards has two 8-position DIP switches that are used to control the options of the program. One of these DIP switches is labeled the "ADDRESS" switch and the other is labeled the "FUNCTION" switch. With this program, these switches are read 'on-the-fly' so there is no need to turn power off each time that they are changed. The following pages detail the purpose of each of these switches.

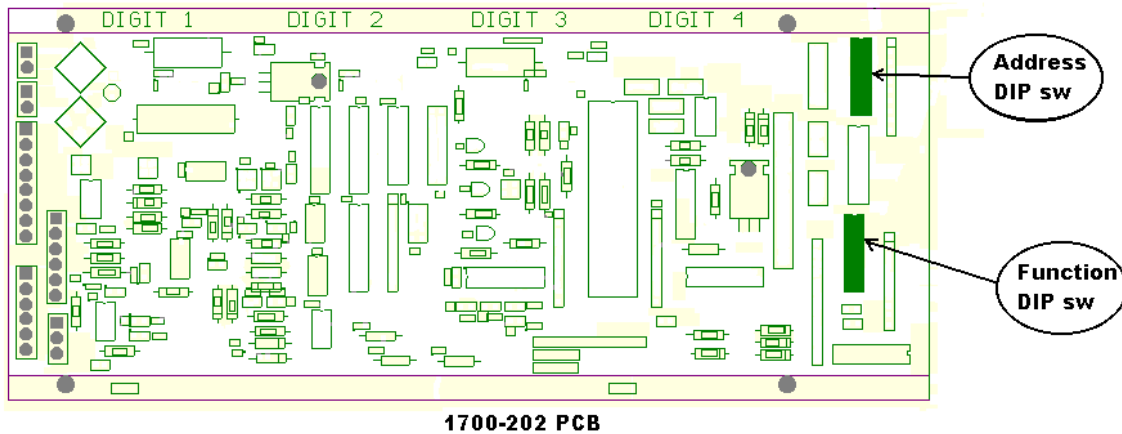


Figure 1

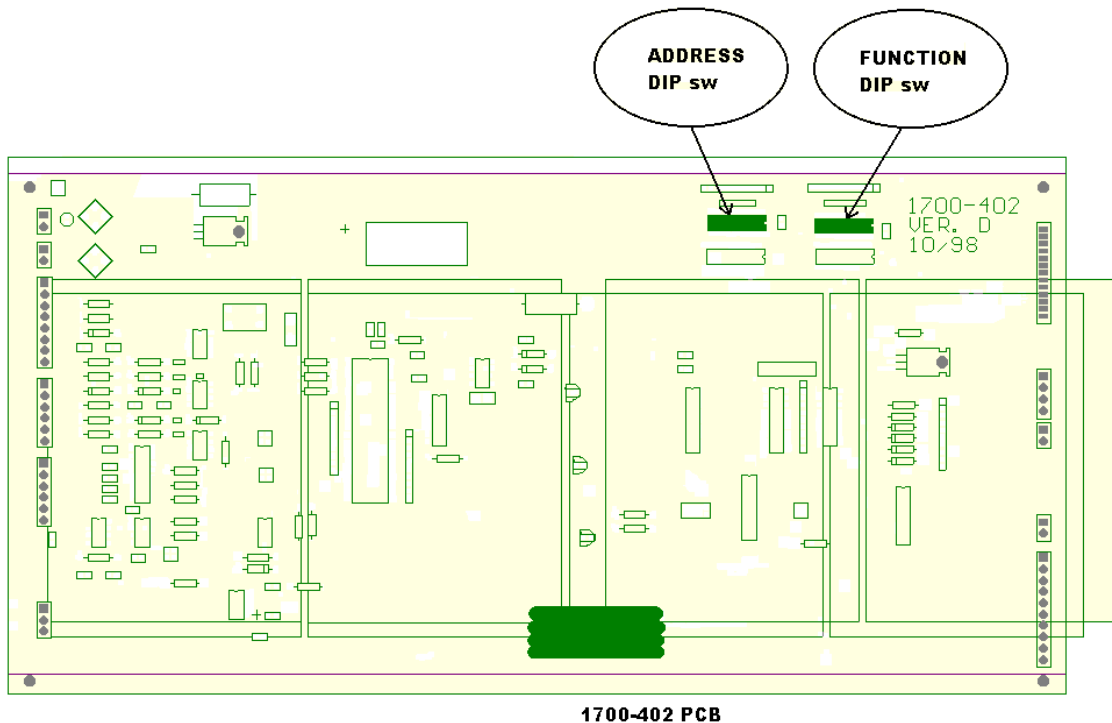


Figure 2

Appendix C

DIP Switch Settings for 7SEG0147.mot

“ADDRESS” Switch:

Switches 3 through 8 are used in binary fashion to specify the display rate. Presently, only four standard rates are defined. Other combinations of switches can be used to provide custom display rates in the future based on specific customer’s requirements. Display rate selections are shown in Table 1. The unit is set to rate 1, pulses-per-minute at the factory unless the customer has specified otherwise.

| ‘ADDRESS’ DIP SWITCH | | | | | | | DISPLAY |
|----------------------|------|------|------|------|------|------|-------------------|
| RATE | SW 8 | SW 7 | SW 6 | SW 5 | SW 4 | SW 3 | |
| 0 | OFF | OFF | OFF | OFF | OFF | OFF | pulses-per-second |
| 1 | OFF | OFF | OFF | OFF | OFF | ON | pulses-per-minute |
| 2 | OFF | OFF | OFF | OFF | ON | OFF | pulses-per-hour |
| 3 | OFF | OFF | OFF | OFF | ON | ON | pulses-per-day |
| 4 | OFF | OFF | OFF | ON | OFF | OFF | not defined |
| 5 | OFF | OFF | OFF | ON | OFF | ON | not defined |
| 6 | OFF | OFF | OFF | ON | ON | OFF | not defined |
| 7 | OFF | OFF | OFF | ON | ON | ON | not defined |
| 8 | OFF | OFF | ON | OFF | OFF | OFF | not defined |
| | | | | | | | |
| 15 | OFF | OFF | ON | ON | ON | ON | not defined |
| 16 | OFF | ON | OFF | OFF | OFF | OFF | not defined |
| 17 | OFF | ON | OFF | OFF | OFF | ON | not defined |
| | | | | | | | |
| 31 | OFF | ON | ON | ON | ON | ON | not defined |
| 32 | ON | OFF | OFF | OFF | OFF | OFF | not defined |
| 33 | ON | OFF | OFF | OFF | OFF | ON | not defined |
| | | | | | | | |
| 63 | ON | ON | ON | ON | ON | ON | not defined |

Table 1

‘ADDRESS’ switches 1 and 2 specify how often the displayed value will be changed. Update rate selections are shown in Table 2. The unit is set to update at 1 minute intervals at the factory unless the customer has specified otherwise.

| ‘ADDRESS’ | | UPDATE RATE |
|-----------|------|---------------------|
| SW 2 | SW 1 | |
| OFF | OFF | once per second |
| OFF | ON | once per 10 seconds |
| ON | OFF | once per 30 seconds |
| ON | ON | once per minute |

Table 2

Appendix C

DIP Switch Settings for 7SEG0147.mot

“FUNCTION” Switch:

Switches 1, 2, and 3 are used to specify how many digits were supplied on you display. These switches were set at the factory and should not be changed. The possible combinations of these switches are shown in Table 3.

| 'FUNCTION' DIP | | | DISPLAY SIZE |
|----------------|------|------|-----------------------|
| SW 3 | SW 2 | SW 1 | |
| OFF | OFF | OFF | 2 digits (or 1 digit) |
| OFF | OFF | ON | 4 (or 3) digits |
| OFF | ON | OFF | 6 (or 5) digits |
| OFF | ON | ON | 8 (or 7) digits |
| ON | OFF | OFF | 10 (or 9) digits |
| ON | OFF | ON | 12 (or 11) digits |
| ON | ON | OFF | 14 (or 13) digits |
| ON | ON | ON | 16 (or 15) digits |

Table 3

Many of our customers have requested that the displayed value be “moved over” to the left with “zero’s” appended to the right end of the display. Switches 4 and 5 on the “FUNCTION” DIP switch will provide these “trailing” zero’s. The four possible combinations are shown in Table 4 below.

| 'FUNCTION' | | 'TRAILING' ZERO'S |
|------------|------|-------------------|
| SW 5 | SW 4 | |
| OFF | OFF | None |
| OFF | ON | One |
| ON | OFF | Two |
| ON | ON | Three |

Table 4

Switches 6, 7, and 8 are not currently in use. These switches can be ON or OFF.