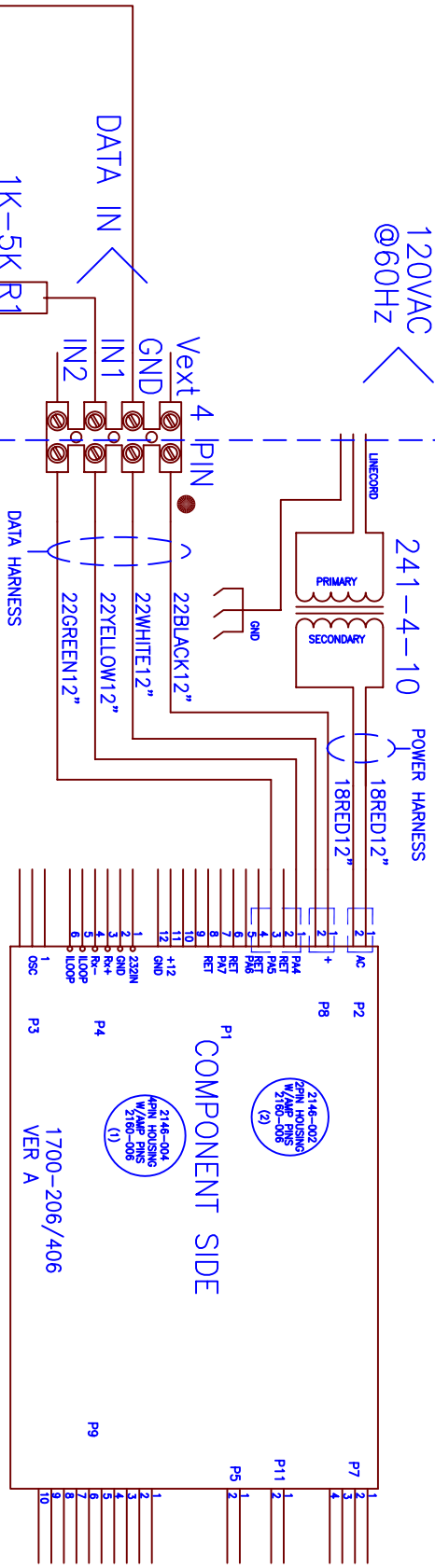


CUSTOMER WIRING

SHOP WIRING

ED206-109-4D-N1

120VAC @60Hz



● -INDICATES SIDE OF TERMINAL BLOCK TO PLACE SHOP WIRES

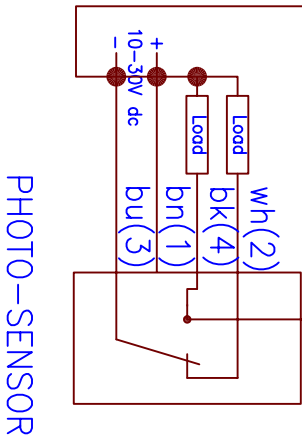


PHOTO-SENSOR

APPENDIX B