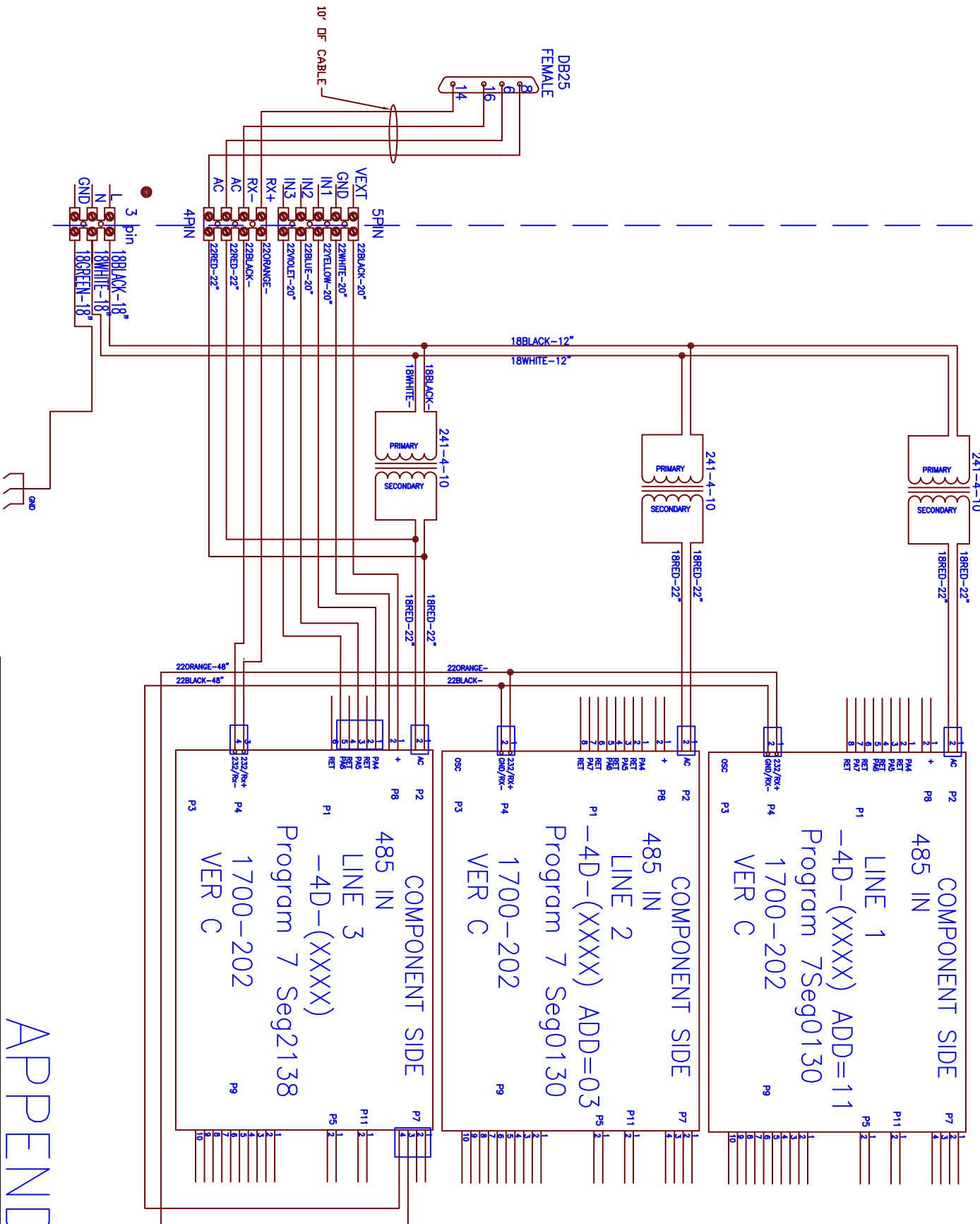


CUSTOMER SHOP
WIRING WIRING



APPENDIX B

DRAWN BY:
M. BUSHI

ED225MPC2L-3L-N1-1002-VRT

R:\WIRING\ED225MPC-3L-N1-1002-VRT-KVN1-DT(G,A)(4,4,4)