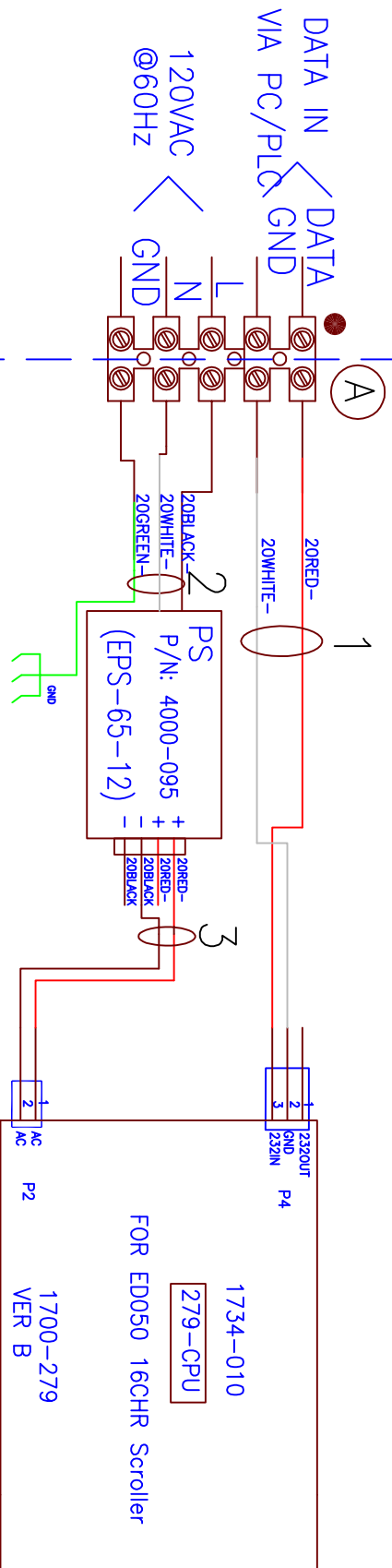


CUSTOMER WIRING → SHOP WIRING →

ED050-1-1611-N1-SR1



ELECTRICAL SCHEMATIC

DRAWN BY: M. Bushi

ED050-1-1611-N1-SR1

R:\WIRING\ED050-1-1611-N1-SR1-w/PS