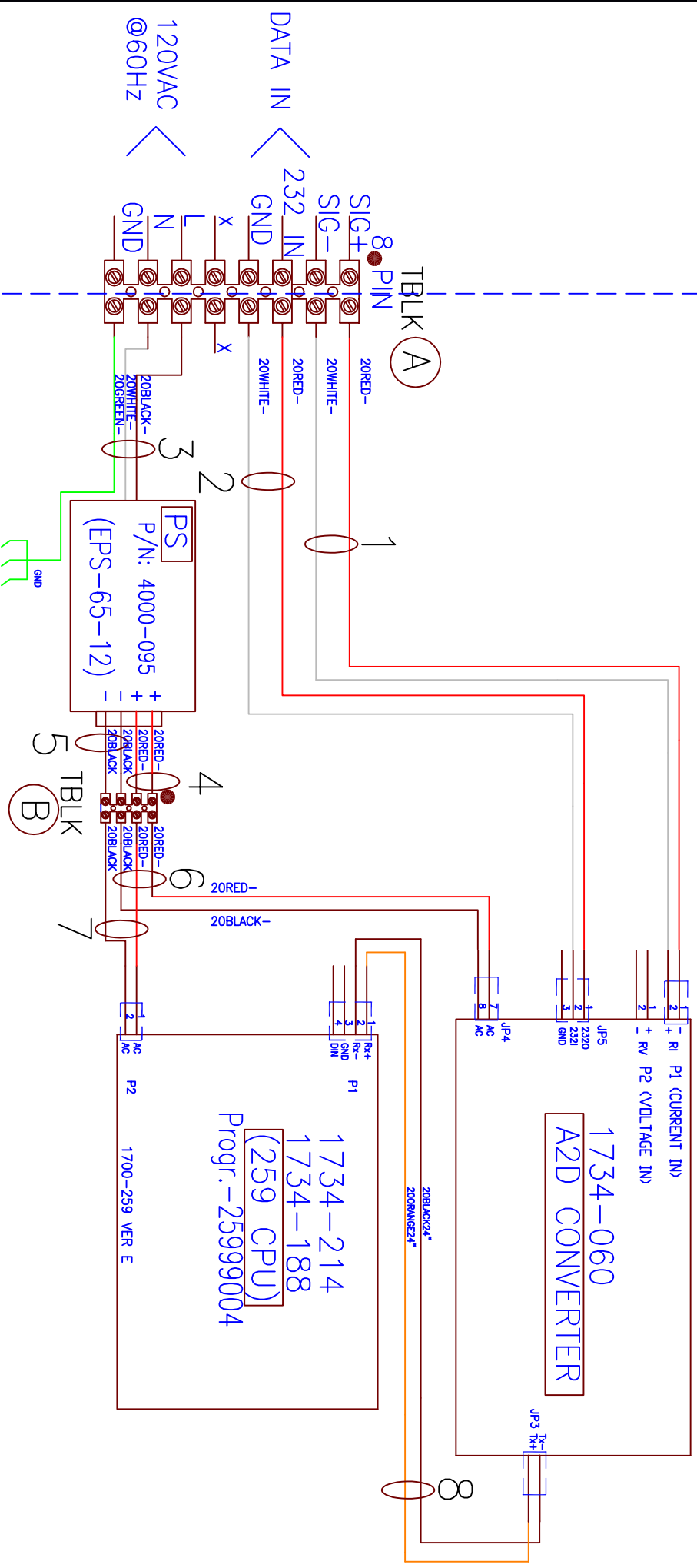


CUSTOMER
WIRING

SHOP
WIRING

ED800D-1/E-105-4D-N1/N4



● = PIN 1
X = Unused PIN

ELECTRICAL SCHEMATIC

DRAWN BY:
M. Bushi

R:\WIRING\ED800D-1/E-105-4D-N1/N4-w/P: