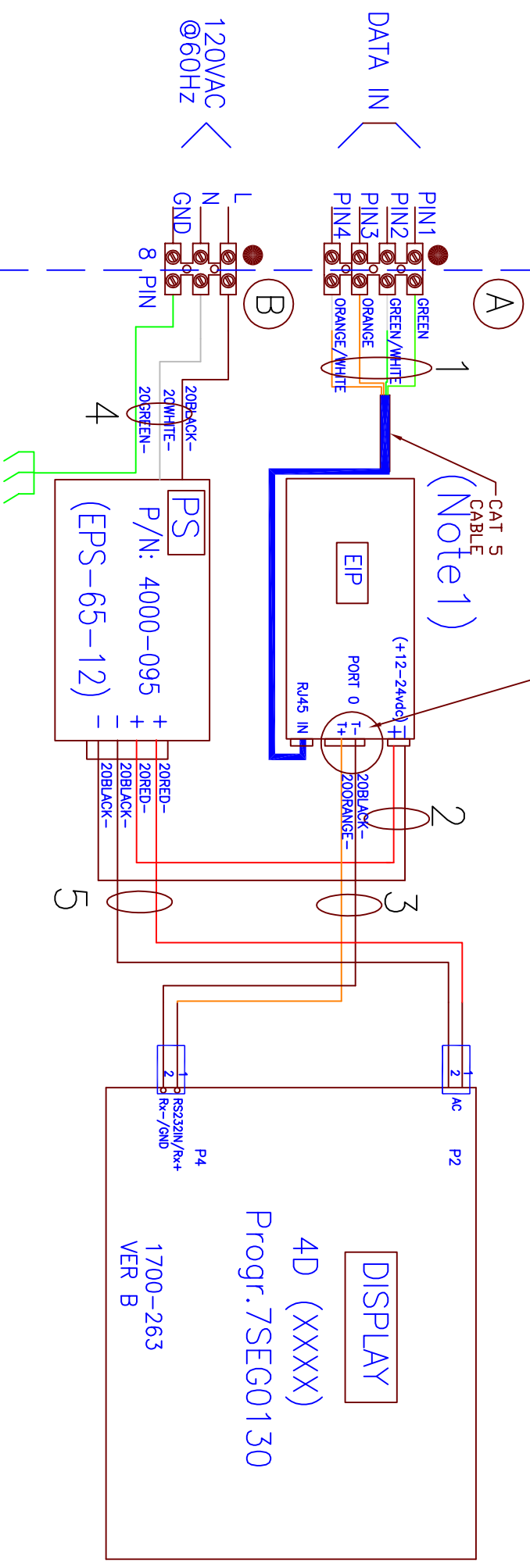
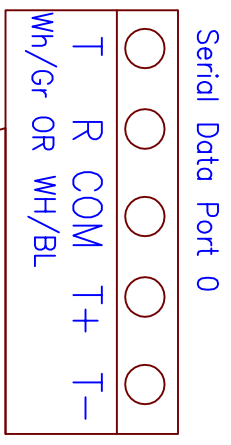


CUSTOMER SHOP  
WIRING WIRING



**NOTE:**

1 - Cut the CAT 5 Cable in one side and Cut Wire-BL/WH & BR/WH  
Use Wires GR, GR/WH,OR,OR/WH and strip them for PIN1,2,3,4 at T-BLK-(A)



# ELECTRICAL SCHEMATIC

DRAWN BY:  
m. Bushi

R:\WIRING\ED202-EIP-4D-N1