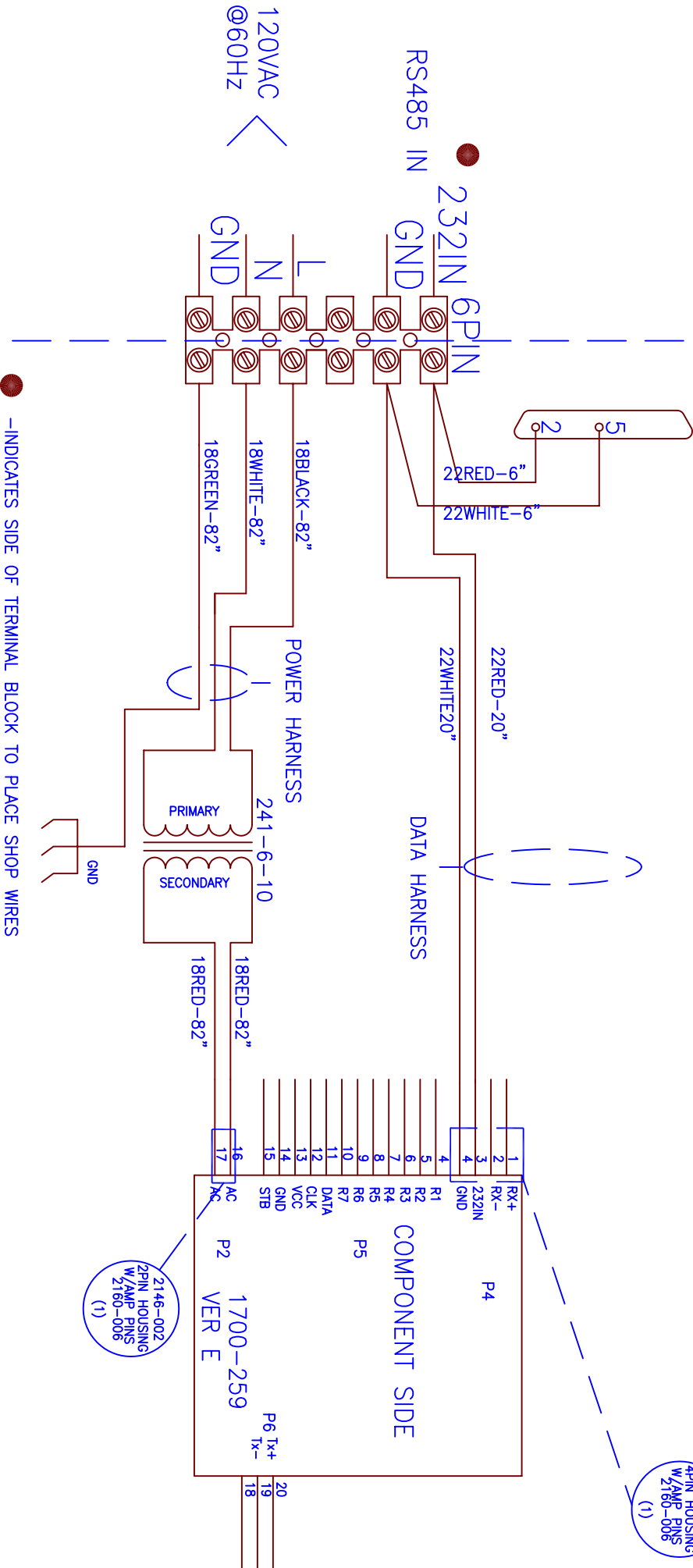


CUSTOMER
WIRING

SHOP
WIRING

DB9
MALE

ED100-1-2405-N1-SR1



-INDICATES SIDE OF TERMINAL BLOCK TO PLACE SHOP WIRES

21-45-004
4PIN HOUSING
W/AMP PINS
2180-006
(1)

21-46-002
2PIN HOUSING
W/AMP PINS
2160-006
(1)

APPENDIX B