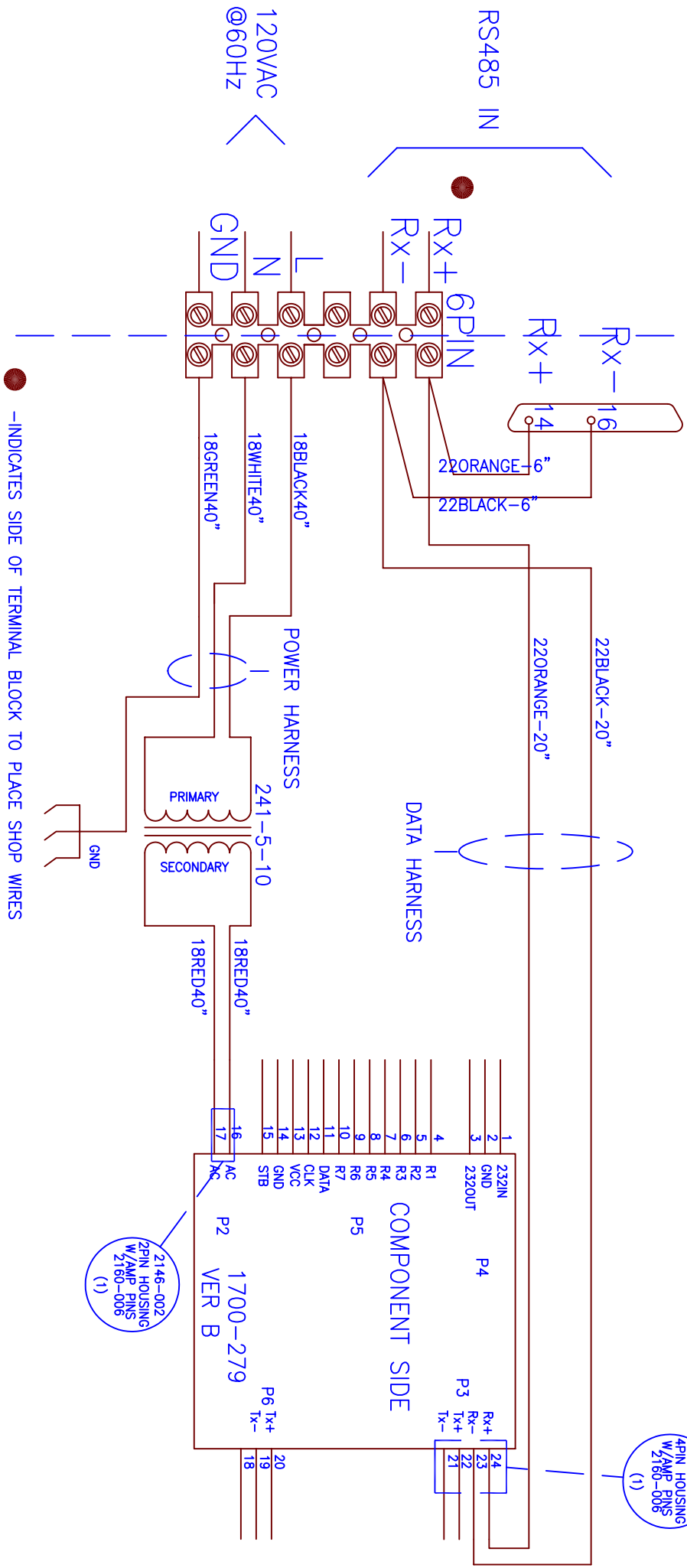


CUSTOMER WIRING ← | → SHOP WIRING

ED050-1-2011-N1



-INDICATES SIDE OF TERMINAL BLOCK TO PLACE SHOP WIRES

APPENDIX B