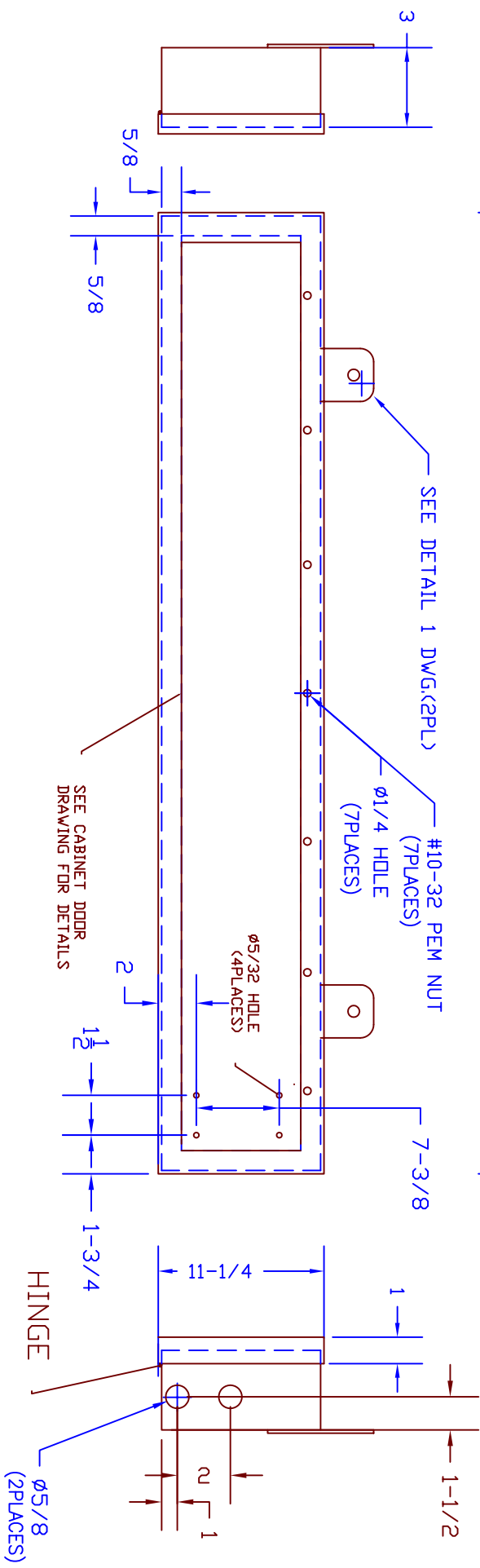
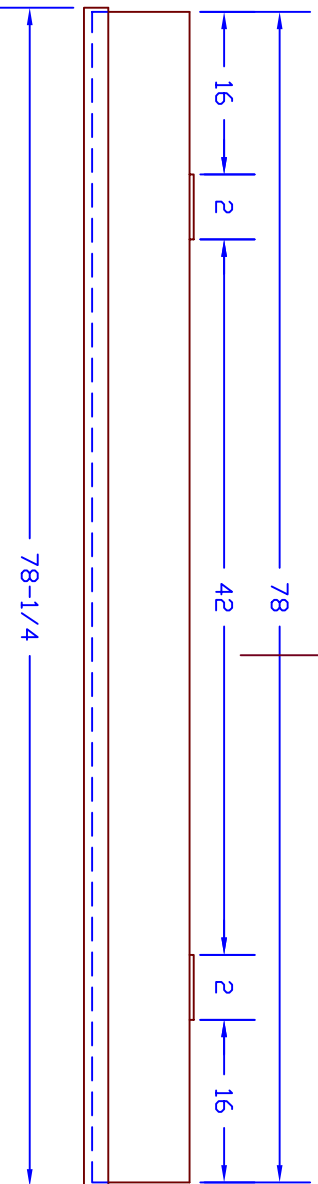


REVISIONS				
ZONE	REV	DESCRIPTION	DATE	APPROVED



NOTE-1:
HOLES ON COVER MUST MATCH
THE HOLES ON THE CABINET.

NOTE-2:
ALL DIMENSIONS ARE IN INCHES.

NOTE-3:
ALL WELDS TO BE SANDED
READY FOR PAINT.

EDI Inc. 135 S CHURCH ADDISON IL60101 ph#630 628-0658		MATERIAL: ALUM. .062 CABINET P/N 1400-735	
APPROVED BY: HENRY BILITZKI	SIZE A	FSCM NO. R:\CABINET-N4\1400-735-20CHR-4INCH	DWG NO. 1400-735
SCALE NONE	SHEET		REV 0