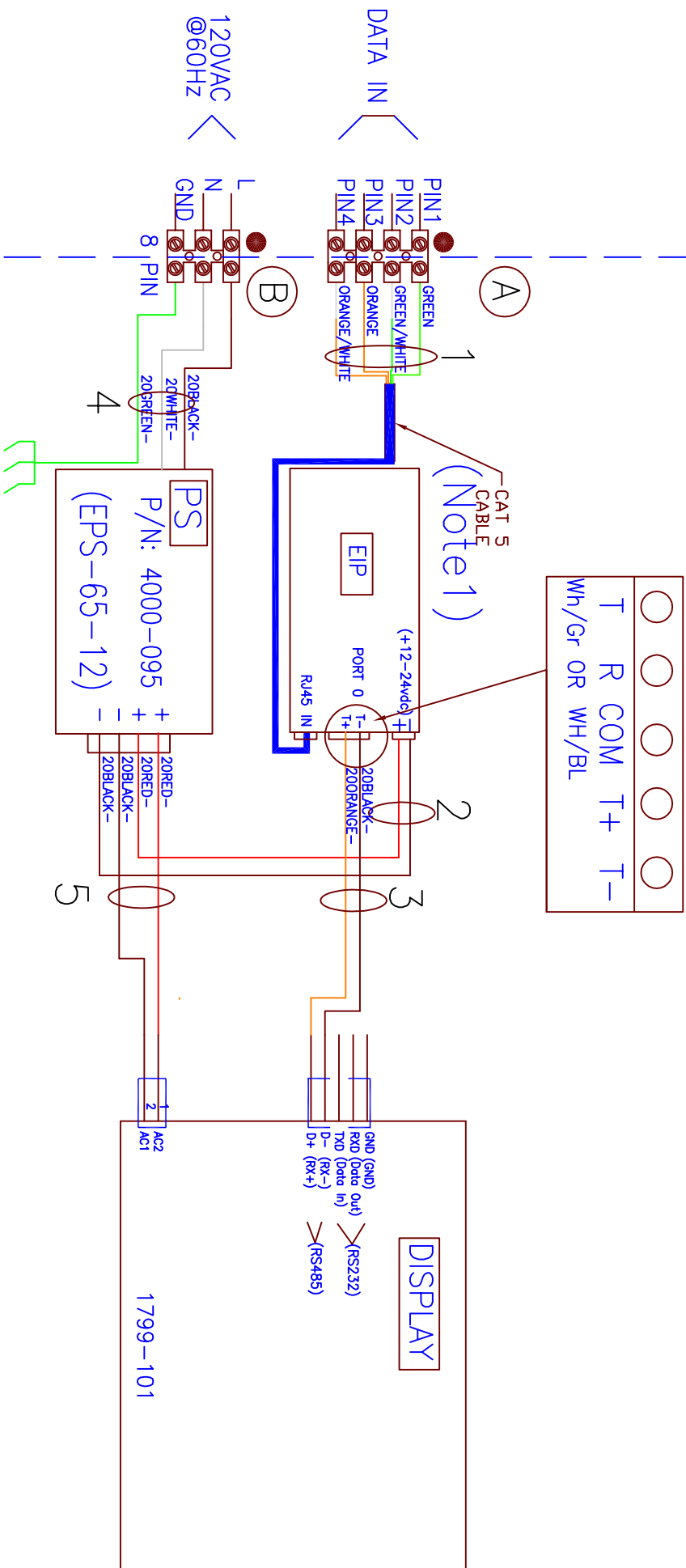


CUSTOMER SHOP
WIRING WIRING



NOTE:

1 - Cut the CAT 5 Cable in one side and Cut Wire-BL/WH & BR/WH
Use Wires GR, GR/WH,OR,OR/WH and strip them for PIN1,2,3,4 at T-BLK-Ⓐ

● = PIN 1

ELECTRICAL SCHEMATIC