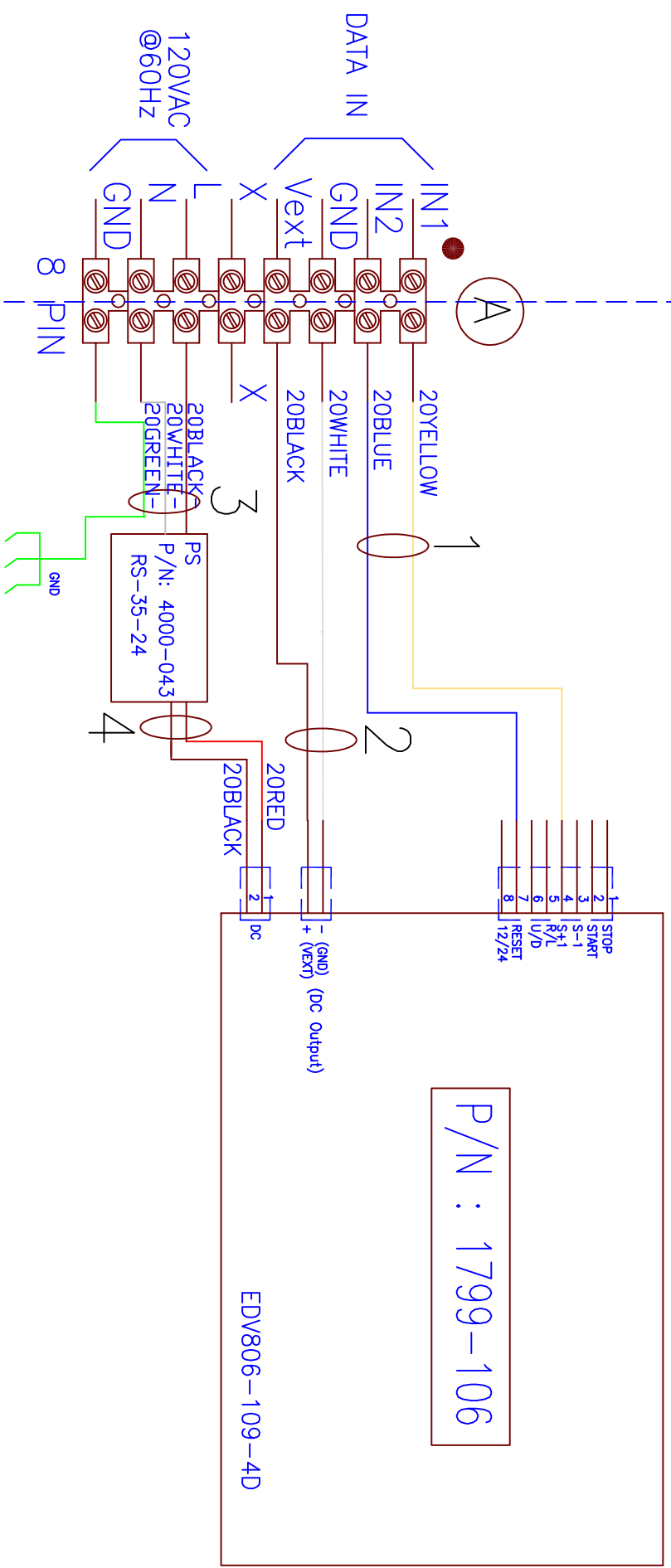


CUSTOMER WIRING → SHOP WIRING →

ED806-109-4D-N1/N4



●	= PIN 1
X	= Unused PIN

ELECTRICAL SCHEMATIC

DRAWN BY: M.Bushi

ED806-109-4D-N1

R:\WIRING\EDV806-109-4D-N1