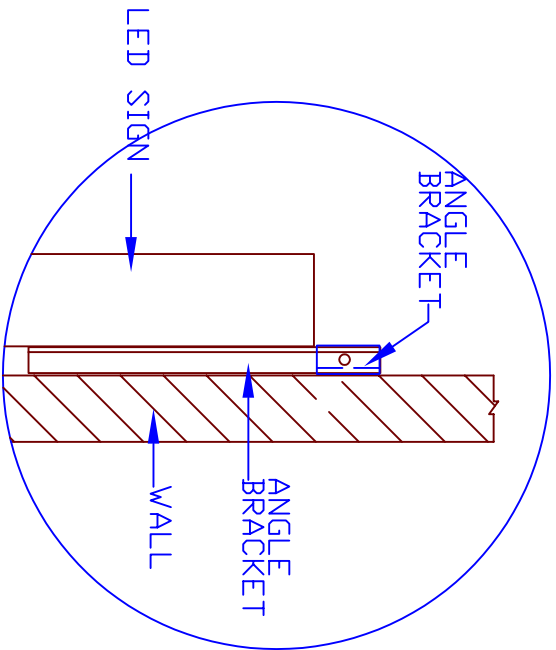
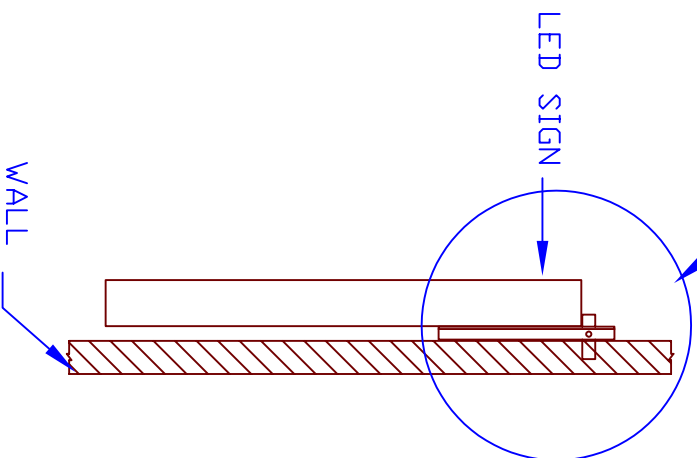


WALL MOUNTING

DETAIL "A"



DETAIL "A"



NOTES:

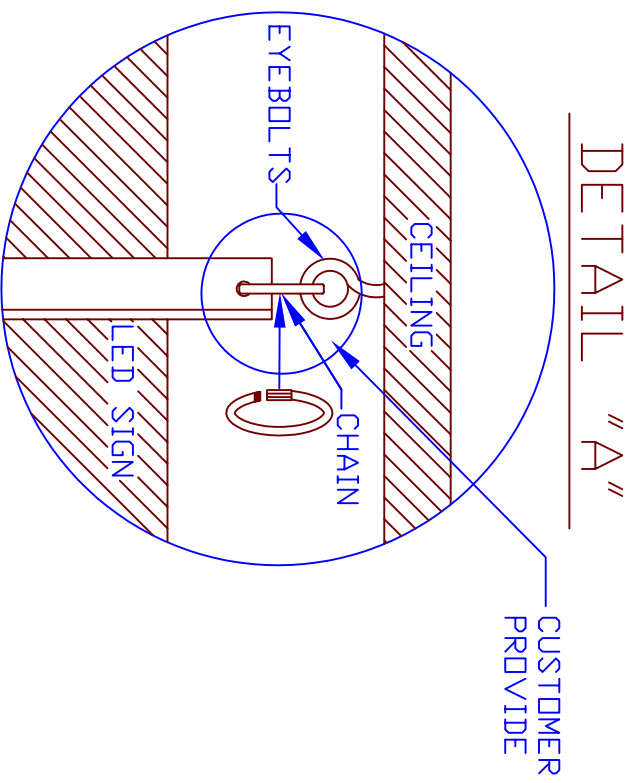
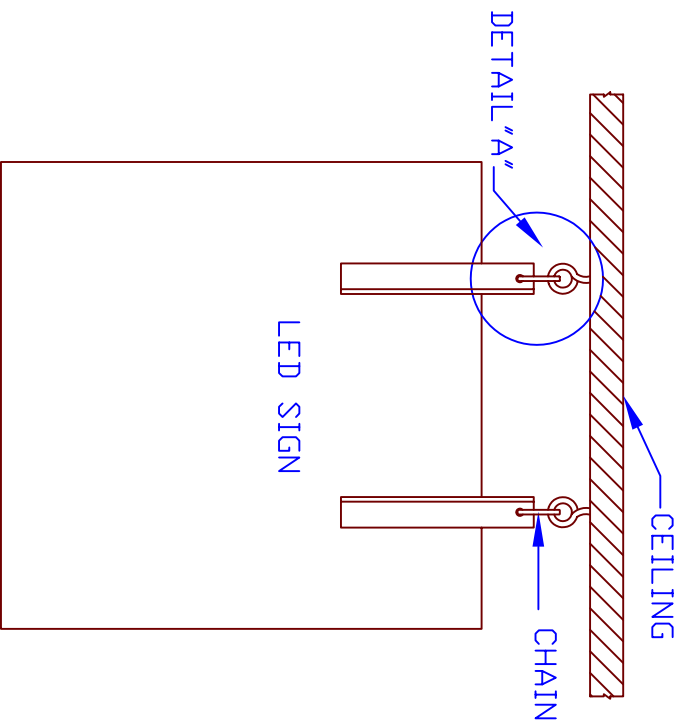
EDI
135 S CHURCH
ADDISON IL 60101
PH#630 628-0658

DISPLAY MOUNTING

WALL MOUNTING

APPROVED BY:	SIZE	FSCM NO.	DWG NO.	REV
H.BILITZKI	A	—	00231-10	0
SCALE NONE	JOB #00231	SHEET HEN10/SUSPEND.SIGN (W)		

CEILING MOUNTING



NOTES:

EDI
 135 S CHURCH
 ADDISON IL 60101
 PH#630 628-0658

DISPLAY MOUNTING

CEILING MOUNTING

APPROVED BY:		SIZE	FSCM NO.	DWG NO.	REV
DRAWN BY: H.BILITZKI		A	—	00231-10	0
SCALE NONE		JOB #00231	SHEET HEN10/SUSPEND.SIGN (C)		